

2.5 kV and 12 kV Capacitance and Dissipation Factor Test Sets



- Interference suppression circuits for testing in high-voltage switchyards
- Automatic balancing of dissipation factor
- Direct readout of capacitance, dissipation factor and watts dissipated
- Lightweight, compact design

DESCRIPTION

Capacitance and Dissipation Factor (C&DF) Test Sets are used for evaluating the nature and quality of electrical insulation materials and systems.

By measuring dissipation factor losses in electrical insulation, these units can indicate the presence of contaminants, fractures and punctures.

As part of a routine maintenance program, capacitance and dissipation factor testing can aid in predicting potential failure of deteriorating insulation.

The C&DF Test Sets include interference suppression circuits that assure accurate measurements even under severe interference or noise conditions such as those found in switchyards.

They are the lightest test sets on the market, making them extremely easy to transport to the testing locations.

Automatic balancing of dissipation factor (power factor) significantly reduces the required testing time and provides higher resolution.

Two types of C&DF Test Sets are available: one for measuring dissipation factor losses at test voltages up to 2.5 kV; the other up to 12 kV.

The 12 kV version consists of two units, a measuring bridge and a high-voltage power source. The 2.5 kV version combines both units in one self-contained test set.

An extended-range version of the 12 kV test set is available for testing high-capacitance items. This unit is capable of testing capacitances of up to 1 μ F at 10 kV when used with the Biddle Resonating Inductor.

APPLICATIONS

The test sets are used for testing high-voltage electrical insulation systems at the power frequency by applying test voltages up to 12 kV.

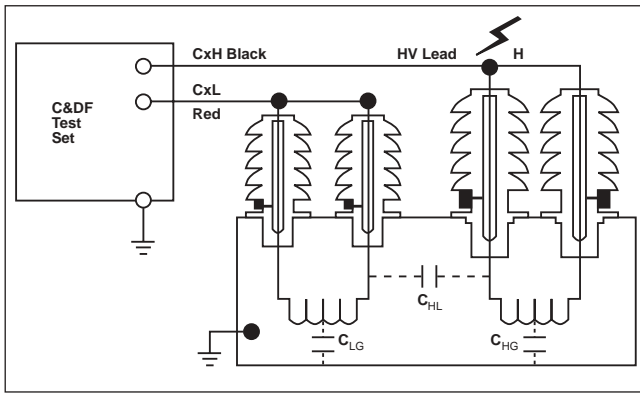
The purpose of the dissipation factor measurement of high-voltage insulation is to find early signs of weakness in the high-voltage insulation.

Typical high-voltage equipment tested includes: high-voltage circuit breakers, transformers, cables and potheads, bushings, windings of rotating machines and protective surge arresters.

Dissipation factor tests on high-voltage insulation are frequently made in manufacturing facilities, repair shops and in the field.

By measuring dissipation factor of the specimen plus capacitance, undesirable conditions are found. They include conditions caused by moisture on or in the insulation; shorts or opens in windings or insulation; and conductive contaminants in insulating oil, gas or solid materials.

The test sets also detect the presence of internal partial discharges that occur up to the level of the applied test voltage.



Two-winding transformer tests

The most important benefit to be gained from a typical dissipation factor test program is obtaining a benchmark reference reading on costly and vital high-voltage apparatus.

Whenever possible, these initial readings should be taken when the equipment is new and when the insulation is clean and dry.

Later readings taken during the service life of the apparatus can be compared to the benchmark. Increasing values of dissipation factor can represent deteriorating insulation and the need for remedial action.

Intervals of one to three years between routine diagnostic tests are usually observed for high-voltage transmission and distribution apparatus.

The Capacitance and Dissipation Factor (C&DF) Test Sets can perform the following standard tests:

Ungrounded Specimen Test (UST)

This test is made when both specimen terminals can be insulated from ground. The test is often used to reduce the effect of stray capacitance losses to ground and to reduce the effect of interference pickup from nearby energized apparatus.

Typical test specimens include the capacitive grading foils used in high-voltage bushings and the interwinding insulation used in high-voltage transformers.

Grounded Specimen Test (GST)

This is the most frequently used test connection and involves all insulation between the high-voltage conductor and ground. Typical test specimens include transformer windings to tank and core, circuit-breaker assemblies, coils of rotating machines, etc.

Grounded Specimen Test with Guard Connection (GST-G)

This test is used to separate the total values of a GST into separate parts for better analysis. Often this test is used with the GST to confirm the test readings made using the UST.

The C&DF Test Sets can perform excitation-current tests on transformer windings or other insulated coil windings. A maximum of 400 mA can be used up to 6 kV when testing large windings.

Changes in transformer excitation-current measurements can indicate internal faults caused by shorted turns in the windings. This type of measurement has gained wide acceptance in the utility industry.

These test sets make a direct measurement of test specimen capacitance, dissipation factor and watts dissipated. The terms “power factor” and “dissipation factor” have the same numerical values for the usual operating range of insulation materials, so generally either term may be used.

Some simple conversions may be needed when higher values (above 10%) are encountered. Because most nameplate values are given as power factor (dissipation factor) by the manufacturer, this test set provides quick, easy and direct test comparisons.

FEATURES AND BENEFITS

- Interference suppression circuits allow for accurate measurements under severe interference or noise conditions.
- Automatic balancing of dissipation factor allows the operator to perform tests quickly and with higher resolution.
- Lightweight, compact design makes the test sets extremely portable. These are the lightest test sets on the market.
- Fully shielded and guarded circuits eliminate the influence of stray capacitances to ground.
- Extended-range test set is capable of testing capacitances of up to 1 μ F at 10 kV when used with the Resonating Inductor.

SPECIFICATIONS**Instrumentation**

Common to All Test Sets

Voltmeter and Ammeter

Digital readout with LED display

Ammeter

Accuracy: $\pm(1\%$ of reading + 0.1 mA)

Resolution: 0.1 mA up to 200 mA; 1 mA above 200 mA

Ammeter reads specimen current only.

Voltmeter Accuracy: $\pm(1\%$ of reading + 1 digit)

Resolution: 10 V

Dissipation Factor and Watts/Milliwatts**0 to 20% DF Range**

Accuracy: $\pm(2\%$ of reading + 0.05% DF)

Resolution: 0.01% DF

0 to 200% DF Range

Accuracy: $\pm(2\%$ of reading + 0.05% DF)

Resolution: 0.1% DF

Both positive and negative DF values are indicated automatically. Values up to 1200% DF can be measured by indirect methods.

LO/HI equivalent milliwatts/watts dissipated in specimen.

Capacitance**Range**

0 to 220,000 pF in eight ranges;

110/220/1100/2200/11,000/22,000/110,000/220,000 pF full scale

Accuracy

$\pm(1\%$ of reading + 2 pF) for ungrounded specimen test

$\pm(1\%$ of reading + 6 pF) for grounded specimen test

Resolution: 0.01% of range selected

Decade readout using three dials with eight-range multiplier switch.

Extended-range test set capable of testing capacitances of up to 1 μ F when used with the Resonating Inductor.

Capacitance Null Detector: Phase-sensitive, zero-center analog meter with sensitivity selector switch providing six steps of gain control from MIN to MAX. Automatic synchronization of null detector to test set output current over entire operating range

Test Selector Switch

UST: Three switch positions. Two or three terminals of specimen are insulated from ground.

GST L-GROUND: One switch position. Test specimen has one insulated terminal and one grounded terminal.

GST L-GUARD: Three switch positions. Test specimen has one insulated terminal, one grounded terminal and one terminal raised to guard potential.

Note: These test switch positions are defined in IEEE Standard 62, "Guide for Field Testing Power Apparatus Insulation."

Dimensions (each unit)

12.5 H x 19.5 W x 15 D in.

(310 H X 510 W x 380 D mm)

Weight

2.5 kV Unit: 51 lb (23 kg)

12 kV Measuring Unit: 48 lb (22 kg)

12 kV HV Power Unit: 63 lb (29 kg)

Cables Only: 34 lb (15 kg)

2.5 kV Test Set**Input (specify one)**

120 V, 60 Hz, 3 A continuous

120 V, 50 Hz, 3 A continuous

240 V, 60 Hz, 1.5 A continuous

240 V, 50 Hz, 1.5 A continuous

Output

Voltage: 0 to 2.5 kV ac, digital readout

Current: 0 to 100 mA continuous

Dissipation Factor (or equivalent watts/milliwatts)

Automatic, direct readout on digital LED at test voltages of 0.25, 0.5, 1.0, 1.5, 2.0 and 2.5 kV. Indirect at intermediate test voltages

Interference Suppression

Separate capacitance and dissipation factor gain controls with three-position selector switch (LOW/HIGH/OFF)

12 kV Test Set**Input (specify one)**

120 V, 60 Hz, 10 A continuous 120 V, 50 Hz, 10 A continuous

240 V, 60 Hz, 5 A continuous 240 V, 50 Hz, 5 A continuous

Output

Voltage: 0 to 12 kV ac, digital readout

Current: High Range to 5 kV: 0 to 200 mA continuous; 0 to 400 mA for 10 min

Low Range to 10 kV: 0 to 100 mA continuous; 0 to 200 mA for 10 min

Dissipation Factor (or equivalent watts/milliwatts)

Automatic, direct readout on digital LED at test voltages of 1, 2, 2.5, 4, 5, 6, 8, 10 and 12 kV

Interference Suppression

Separate capacitance and dissipation factor gain controls with seven position selector switches (a/b/c/d/e/f/OFF)

ORDERING INFORMATION

Item (Qty)	Cat. No.	Item (Qty)	Cat. No.
2.5 kV Capacitance and Dissipation Factor Test Set		120 volt input	
120 Vac, 60 Hz	670025	120 volt input	17032-2
120 Vac, 50 Hz	670025-44	Cable assembly	
240 Vac, 60 Hz	670025-45	C.H high voltage, 70 ft (15 m)	30012-5
240 Vac, 50 Hz	670025-47	C.L high voltage (red), 70 ft (15 m)	25572-1
12 kV Capacitance and Dissipation Factor Test Set		C.L high voltage (blue), 50 ft (15 m)	25572-2
120 Vac, 60 Hz	670065	Cable carrying bag, canvas	
120 Vac, 50 Hz	670065-44	120 volt input	18313
240 Vac, 60 Hz	670065-45	Instruction manual	
240 Vac, 50 Hz	670065-47	AVTM670065JA	
12 kV Extended Range Capacitance and Dissipation Factor Test Set		12 kV Unit - 670070	
120 Vac, 60 Hz	670070	Cable assembly	
120 Vac, 50 Hz	670070-44	External interlock, 10 ft (3 m)	
240 Vac, 60 Hz	670070-45	10229-5	
240 Vac, 50 Hz	670070-47	Interconnection, five-pin	
Included Accessories		27978	
2.5 kV Unit - 670025		Interconnection, eight-pin	
Line cord		27979	
120 volt input		Ground, 15 ft (4.5 m)	
120 volt input		4702-6	
240 volt input		Line cord	
240 volt input		120 volt input	
Cable assembly		17032-4	
C.H high voltage, 50 ft (15 m)		240 volt input	
30012-1		17032-2	
C.L high voltage (red), 50 ft (15 m)		Cable assembly	
25572-3		C.H high voltage, 70 ft (21.3 m)	
C.L high voltage (blue), 50 ft (15 m)		30012-5	
25572-4		C.L high voltage (red), 70 ft (21.3 m)	
External interlock, 10 ft (3 m)		25572-1	
10229-3		C.L high voltage (blue), 50 ft (15 m)	
Ground, 15 ft (4.5 m)		25572-2	
4702-5		Cable carrying bag, canvas	
Cable carrying bag, canvas		18313	
18313		Instruction manual	
AVTM670025J		AVTM670065JA	
12 kV Unit - 670065		Optional Accessories	
Cable assembly		All Units	
Interconnection, four-conductor		Hot collar straps [3]	
30015		670505	
Interconnection, eight-conductor		Tap connectors [2]	
30016		670506	
External interlock, 10 ft (3 m)		Calibration standard	
10229-3		670500-1	
Ground, 15 ft (4.5 m)		Oil test cell	
4702-5		670511	
Line cord		Foam-padded case for calibration standard	
		670635	
		Transit case, test set	
		670626	
		Transit case, cables	
		218744-1	
		12 kV Extended-Range Unit Only	
		Resonating inductor	
		670600	

UK
 Archcliffe Road, Dover
 CT17 9EN England
 T (0) 1 304 502101
 F (0) 1 304 207342

UNITED STATES
 4271 Bronze Way
 Dallas, TX 75237-1018 USA
 T 1 800 723 2861
 T 1 214 333 3201
 F 1 214 331 7399

OTHER TECHNICAL SALES OFFICES
 Norristown USA, Toronto CANADA,
 Mumbai INDIA,
 Le Raincy FRANCE, Cherrybrook
 AUSTRALIA, Guadalajara SPAIN
 and The Kingdom of BAHRAIN.

ISO STATEMENT
 Registered to ISO 9001:1994 Reg no. Q 09250
 Registered to ISO 14001 Reg no. EMS 61597
CDF_DS_En_V01
 www.megger.com
 Megger is a registered trademark